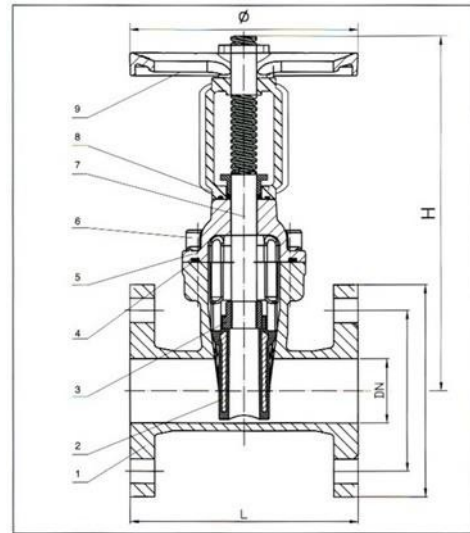


FM APPROVED



MAXIMUM WORKING PRESSURE

350 – 400 - 200 PSI

13.8 bar

COATING

With Flange DIN

Nº	NAME	MATERIAL
01	BODY	MOLTEN IRON
02	DISC	DI+EFDM
03	PACKING	C95400
04	“O” RING	EPDM
05	CAP SCREW	DI
06	CAP SCREW	ACERO
07	STEM	SS410
08	FLANGE	DI
09	MANUAL STEERING WHEEL	DI

DIMENSIONS

SIZE	D	D1	L	H	N-D	ø
14”	533	476	381	1130	12-29	465
16”	597	539.5	406	1330	16-29	465