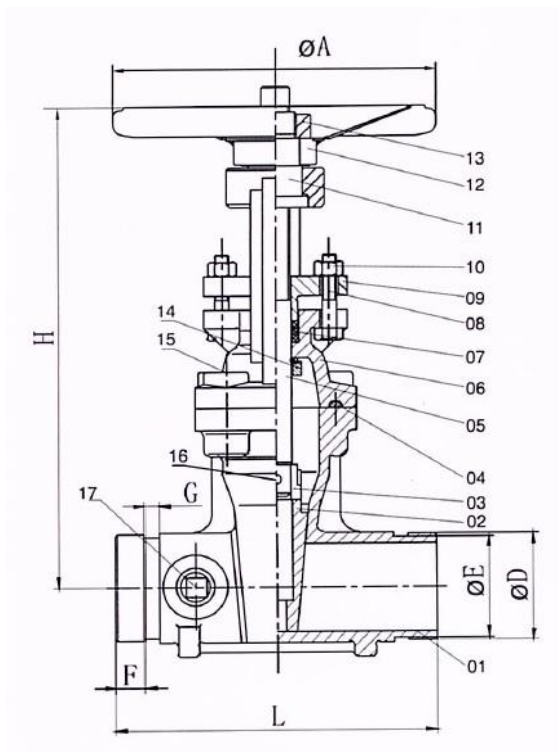


200PSI-OS&Y TYPE GROOVED END GATE VALVE

MOD. Z81

Technical Specifications:

- 1.Design Standard: AWA C515
- 2.Nominal Pressure: 200OSI
- 3.Groove Standard: Metric or AWWA C606
- 4.Epoxy resin coating both inside & outside the body



SIZE CHART

SIZE ITEM	2"	2-1/2"	3"	4"	5"	6"	8"	10"	12"
L	178	190	203	229	254	267	292	330	356
H	313	340	387	440	546	607	786	946	1110
ØA	180	200	220	250	280	300	350	406	406
ØD	60.3	76.1	88.9	114.3	141.3	168.3	219.1	273	323.9
ØE	57.2	72.3	84.9	110.1	137	163.9	214.4	268.3	318.3
F	15.9	15.9	15.9	15.9	15.9	15.9	19	19	19
G	7.9	7.9	7.9	9.5	9.5	9.5	11.1	12.7	12.7

Nº	NAME	QTY.	MATERIAL	REMARK
01	BODY	1	DI	ASTM A536 65-45-12
02	DISC	1	DI+EPDM	ASTM A536 65-45-12+EPDM
03	CONNECTING PART	1	C95400	ASTM B148
04	SEALING PAD	1	EPDM	ASTM D2000 EPDM
05	STEM	1	S.S.304	ASTM A276
06	CAP	1	DI	ASTM A536 65-45-12
07	SEALING KITS	3	GRAPHITE	
08	BOLT	2	STEEL	
09	PLATEN	1	DI	ASTM A536 65-45-12
10	NUT	2	STEEL	
11	ROTATING NUT	1	C95400	ASTM B148
12	HANDWHEEL	1	STEEL	ANSI 1045
13	LOCK NUT	1	STEEL	ANSI 1045
14	FLAT KEY	1	S.S.416	ASTM A276
15	COUNTERSUNK HEAD BOLT	4	STEEL	
16	CYLINDER PIN	1	STEEL	
17	PLUG	2	C95400	ASTM B148